

4

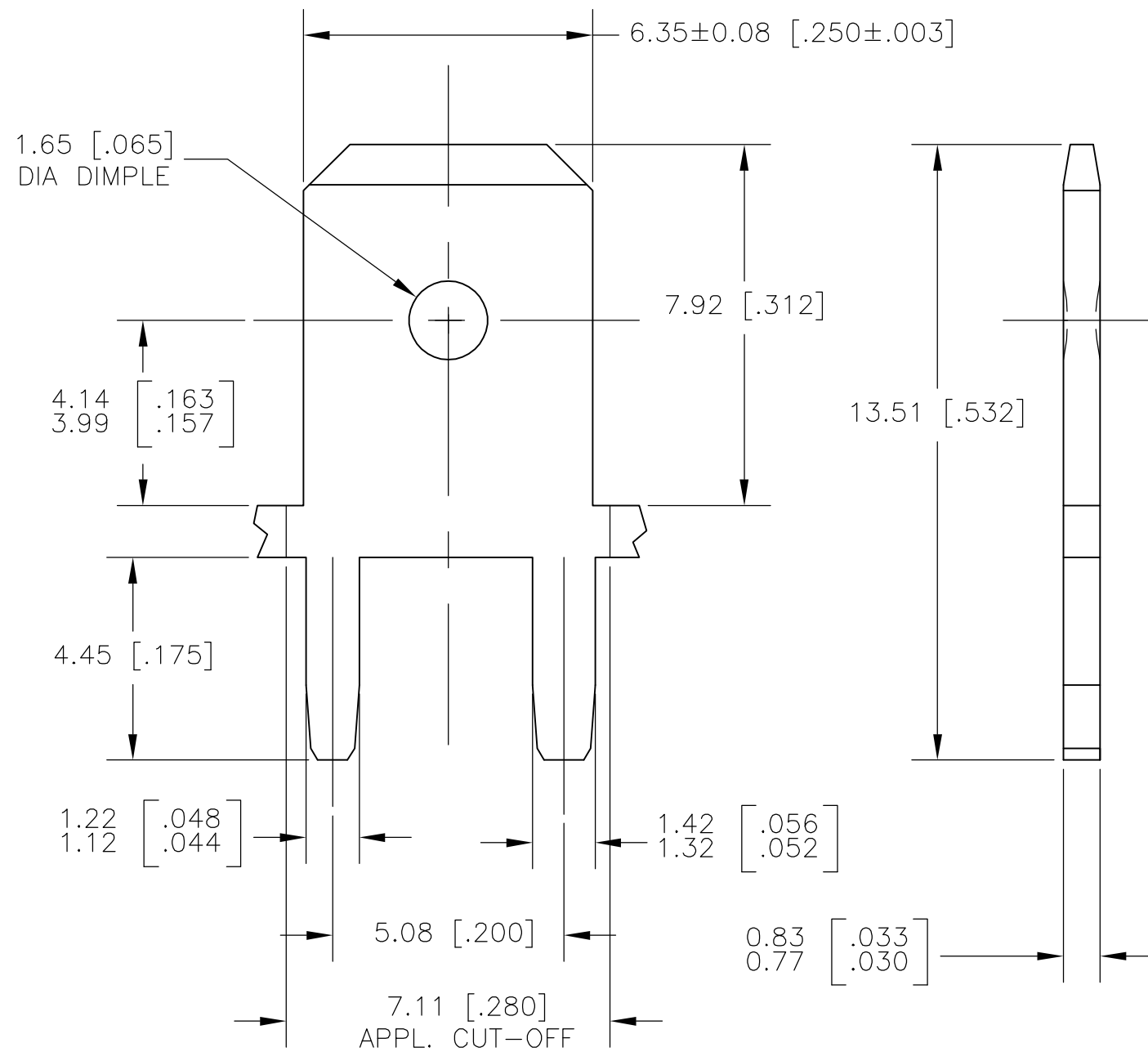
3

2

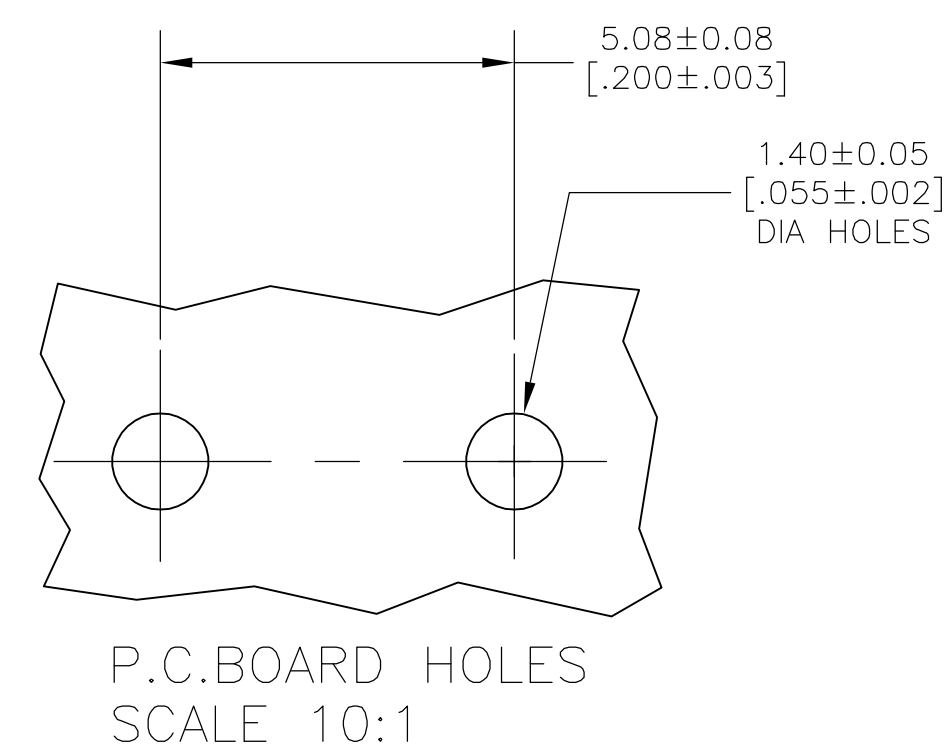
1

THIS DRAWING IS UNPUBLISHED. RELEASED FOR PUBLICATION -,- .
 © COPYRIGHT BY TYCO ELECTRONICS CORPORATION. ALL RIGHTS RESERVED.

LOC	DIST	REVISIONS			
P	LTR	DESCRIPTION	DATE	DWN	APVD
AF	50	F	REV PER ECR-05-017407	14APR06	HMR KR



1 CONTINUOUS STRIP ON REELS.
 2 0.00381 [.000150] MIN TIN OVER
 0.00254 [.000100] MIN THK COPPER.



63650-1
 PART NUMBER

THIS DRAWING IS A CONTROLLED DOCUMENT.		DWN	JR RUTH	15MAR01	tyco Electronics	Tyco Electronics Corporation			
DIMENSIONS: mm [INCHES]		CHK	MS FEHER	20MAR01		Harrisburg, PA 17105-3608			
TOLERANCES UNLESS OTHERWISE SPECIFIED:		APVD	N DEIBERT	20MAR01	NAME				
0 PLC ± -		PRODUCT SPEC		TAB, FASTON, PC BOARD, 6.35 [.250] SERIES					
1 PLC ± -		APPLICATION SPEC		114-2115		SIZE	CAGE CODE	DRAWING NO	RESTRICTED TO
2 PLC ± 0.38 [.015]		WEIGHT		-		A3	00779	C=63650	-
3 PLC ± -		CUSTOMER DRAWING		SCALE		8:1		SHEET	1 OF 1
4 PLC ± -		MATERIAL		082 BRASS		FINISH		TIN OVER COPPER	
ANGLES ± -		SCALE		8:1		SHEET		1 OF 1	
FINISH		REV		F		REV		F	